



The Legacy Companies
 3355 Enterprise Avenue, Suite 160, Fort Lauderdale, FL 33331
 Sales: (954) 202-7419 • Sales@TheLegacyCompanies.com
 Tech Service: (877) 368-2797 • Service@MaxxHelp.com

Project Name: _____
 Location: _____
 Item #: _____ Qty: _____
 Model: _____

www.MaximumFoodService.com

MODULAR ICE MAKERS (Bin Not Included)

Model: MIM915H MIM615H MIM475H

International Model: Add -50 (220V/50Hz/1Ph)
 or -60 (220V/60Hz/1Ph)



As Shown on Bin



Half Slab Ice Cubes
 Inches: 7/8 x 7/8 x 3/8
 mm: 22.2 x 22.2 x 9.5

Modular ice maker. Can produce 475 to 915 pounds of ice per day (under the right conditions) depending on the model. Stainless steel construction provides durability to a unit that is low-maintenance and easy to clean. Vertical evaporator and proven ice making technology assures years of reliable ice production. These models can be stacked for even more ice production, if needed.

ICE PRODUCTION

Air Temp 70°F (21°C) Water Temp 50°F (10°C)
 MIM915H Daily Ice Production: 915 lbs (415kg)
 MIM615H Daily Ice Production: 615 lbs (278kg)
 MIM475H Daily Ice Production: 475 lbs (215kg)

Air Temp 90°F (32°C) Water Temp 70°F (21°C)
 MIM915H Daily Ice Production: 800lbs (362kg)
 MIM615H Daily Ice Production: 468 lbs (212kg)
 MIM475H Daily Ice Production: 368 lbs (164kg)

Storage Bin is Not Included. Maxx Ice has storage bins available. Gravity Drain connection is required, along with a water supply line.

OPERATING REQUIREMENTS

Ambient Temp Range	45° to 99°F (7° to 37°C)
Water Temp Range	40° to 90°F (4° to 32°C)
Water Usage 100lbs (45.4kg) of Ice	16 Gallons (60.6 L)
Water Supply Line Connection	3/8" FPT
Water Pressure Range	
Min PSI 15	Max PSI 80 (above 80 requires a regulator)
Min Bar 1.0	Max Bar 5.5
Energy Consumption kWh/100 lb (45.4 kg) 90°F(32°C)/70°F(21°C)	
MIM915H:	5.8 kWh/100 lb
MIM615H:	6.5 kWh/100 lb
MIM475H:	7.1 kWh/100 lb

REFRIGERANT

- CFC & HCFC free R-404A

ELECTRIC

MIM915H 220V/60Hz/1 Ph (Hard Wired)
 MIM615H 220V/60Hz/1 Ph (Hard Wired)
 MIM475H 120V/60Hz/1 Ph (NEMA 5-15P)
 (220V/50-60Hz/1ph available as an option)



FEATURES and CONSTRUCTION

- Exterior Material: Stainless Steel
- Air Cooled Compressor
- Automatic Cleaning Cycle

*A Water filter is recommended for a more efficient operation with less required maintenance and cleaning.

* 3rd Party Approvals: ANSI NSF 12, ANSI UL 563 & DOE2017



Intertek
 Certified to
 ANSI-NSF 12



Intertek
 Certified to
 ANSI UL 563



Maxx Ice WARRANTY (USA / CANADA)

One (1) year parts
 One (1) year on-site labor
 Five (5) years compressor (part only)
 Administered by The Legacy Companies, 877.368.2797

Due to periodic changes in designs, methods, procedures, policies and regulations, the specifications contained in this sheet are subject to change without notice. While we exercise good faith efforts to provide information that is accurate, we are not responsible for errors or omissions in information provided or conclusions reached as a result of using the specifications. By using the information provided, the user assumes all risks in connection with such use.

The built in performance enhancing functions ensure that given proper attention and preventative maintenance, each Maxx Product will deliver years of trouble free, reliable, low maintenance, efficient operation.

03072017W



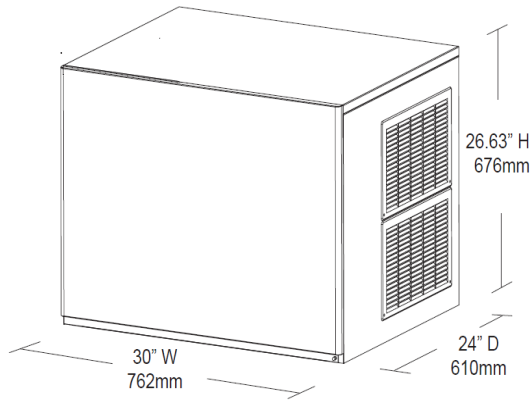
The Legacy Companies
 3355 Enterprise Avenue, Suite 160, Fort Lauderdale, FL 33331
 Sales: (954) 202-7419 • Sales@TheLegacyCompanies.com
 Tech Service: (877) 368-2797 • Service@MaxxHelp.com

Project Name: _____
 Location: _____
 Item #: _____ Qty: _____
 Model: _____

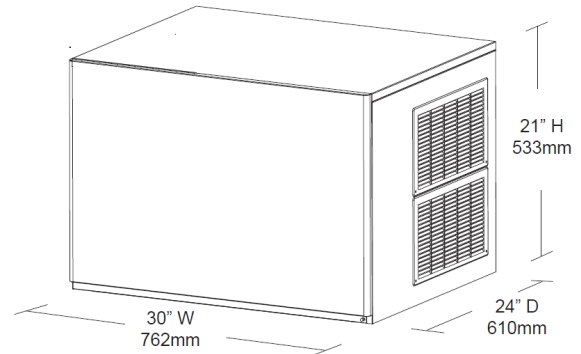
www.MaxximumFoodService.com

MODULAR ICE MAKERS (Bin Not Included)

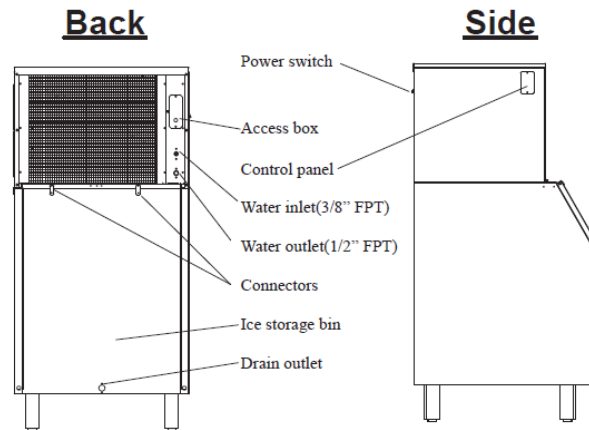
MIM915H



MIM615H and MIM475H



As Shown on Bin



	MIM915H	MIM615H	MIM475H
In: External Dimensions W x D X H	30 x 24 x 26.63	30 x 24 x 21	30 x 24 x 21
mm: External Dimensions W x D X H	762 x 610 x 676	762 x 610 x 533	762 x 610 x 533
Electrical Amp Draw	11.75 Amps at 220V	10 Amps at 220V	15.3 Amps at 120V
Unit Weight	194 lbs (88 kg)	155 lbs (70 kg)	130 lbs (59 kg)
Shipping Weight	208 lbs (94 kg)	165 lbs (75 kg)	148 lbs (67 kg)
Production based on ambient conditions			
50°F Water / 70°F Air	Up to 915 lbs of ice/day	Up to 615 lbs of ice/day	Up to 475 lbs of ice/day
70°F Water / 90°F Air	Up to 800 lbs of ice/day	Up to 468 lbs of ice/day	Up to 368 lbs of ice/day
Ice Cube Produced	Half Size Slab Cube	Half Size Slab Cube	Half Size Slab Cube

Due to periodic changes in designs, methods, procedures, policies and regulations, the specifications contained in this sheet are subject to change without notice.
 While we exercise good faith efforts to provide information that is accurate, we are not responsible for errors or omissions in information provided or conclusions reached as a result of using the specifications.
 By using the information provided, the user assumes all risks in connection with such use.